

FRIALOC<sup>®</sup>

Always the right decision:

# **FRIALOC<sup>®</sup>** **PE Shut-Off Valve**

With innovative two-valve system



# THE MISSING LINK IN YOUR PE PIPING



# FRIALOC – the PE

## Always the economic solution:

The FRIALOC PE shut-off valve completes your PE piping network

### Always durable:

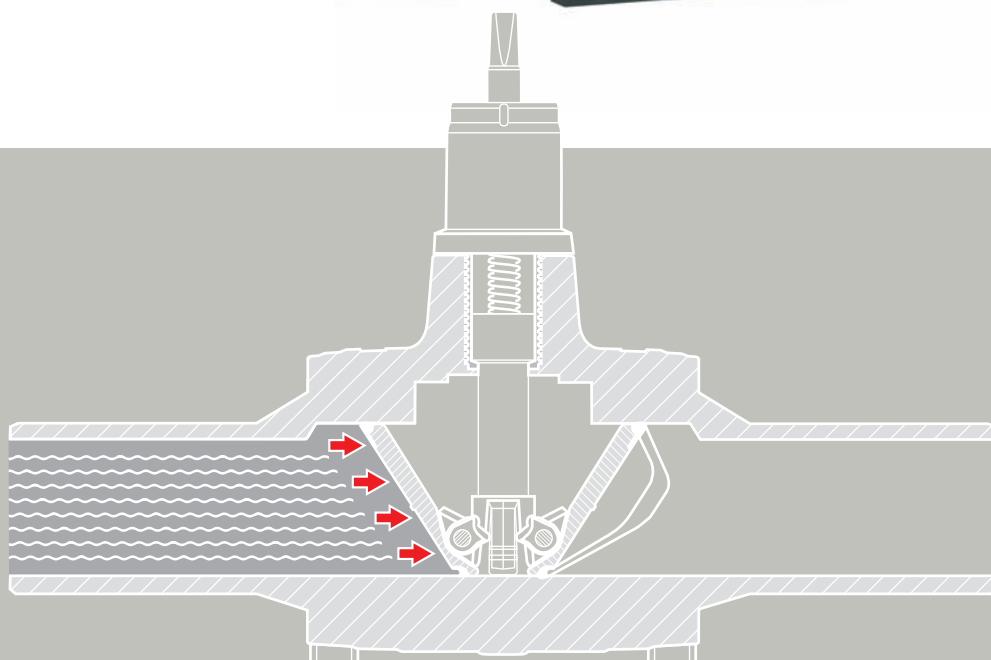
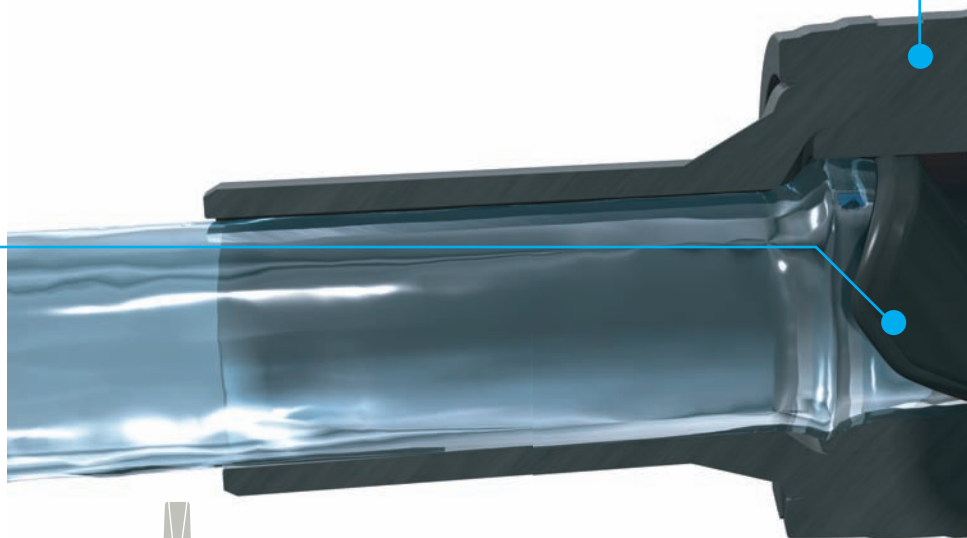
Corrosion and incrustation are permanently prevented. Pipe and valve become a homogeneous unit.

- without flanges
- without gaskets
- without metallic transition fittings.

- **Dimensions: d 90 to d 225, PE100 SDR 11.**
- **Allowable operating pressure for water PFA 16 bar.**
- **Valve for use in gas applications is presently being developed.**

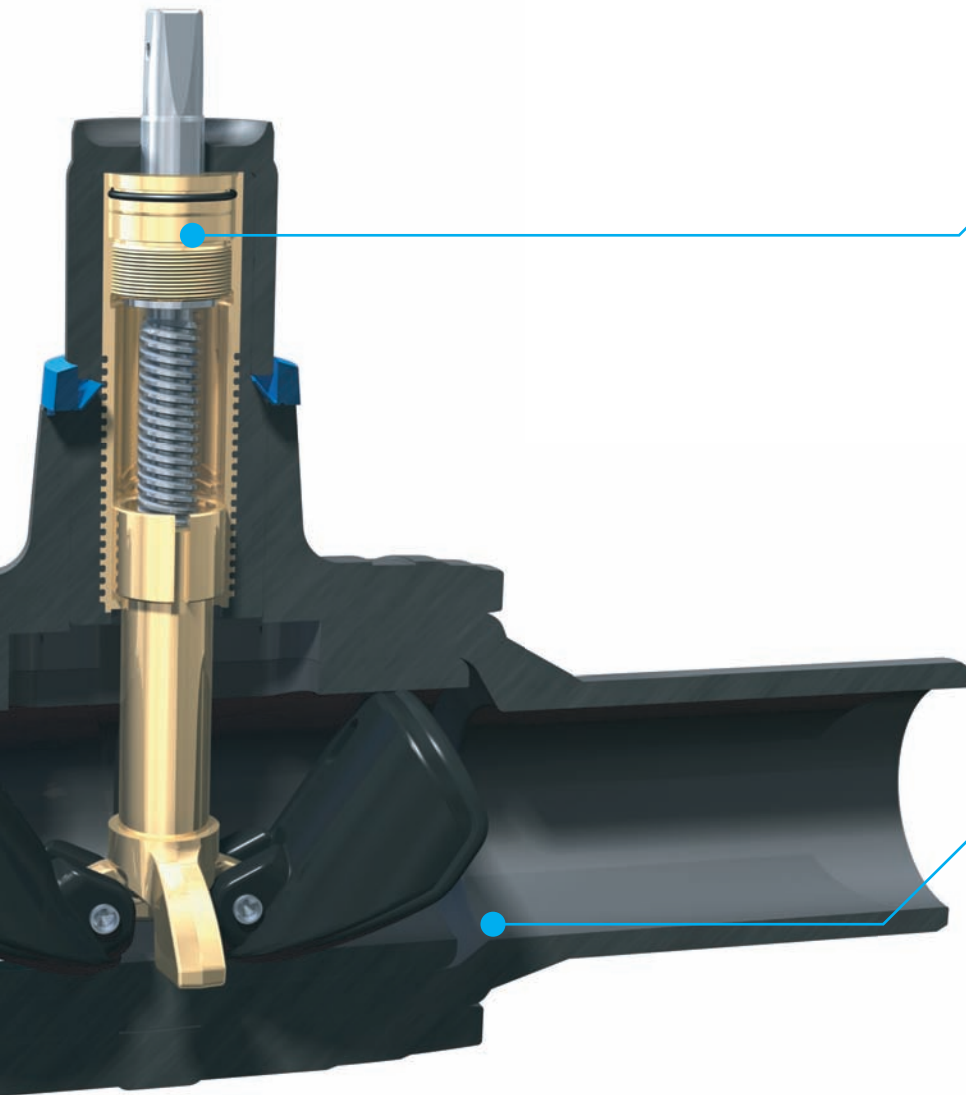
### Always leak-tight:

The innovative two-valve system - the valve and the sealing geometry flexibly adapt to all operating conditions. The small sealing area minimises biological growth.



NETWORK

# shut-off valve



● **Always safe and robust:**

Drive and housing form a solid unit. Metal stops signal the positions open and closed. The metal components used are optimally matched to each other with regard to corrosion resistance and wear resistance.

● **Always easy:**

Easy handling at the construction site thanks to low weight and proven joining method. Easy actuation in operation thanks to significantly reduced torques and number of turns.

## Innovative two-valve system:

Optimal adaptation of the sealing element to all operating conditions and the properties of polyethylene.



